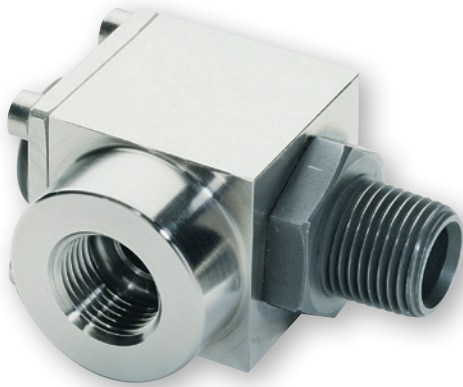
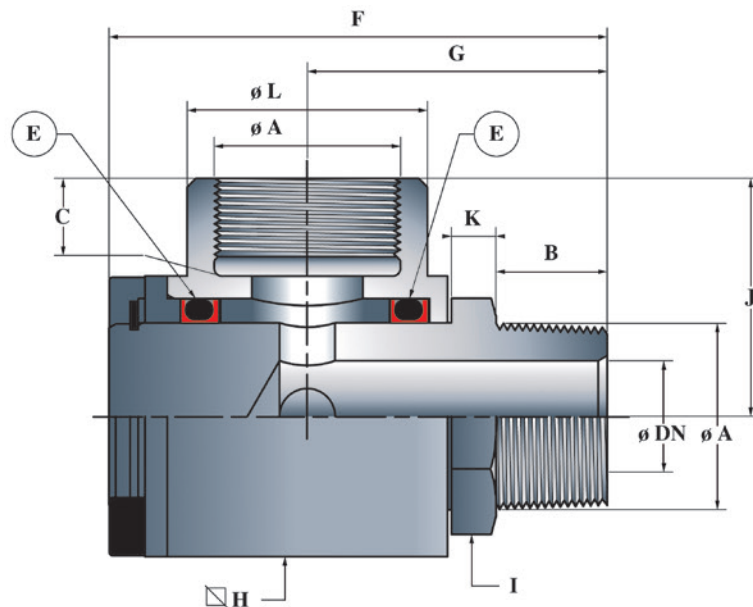


## TECHNICAL FEATURES



<b>REFERENCE</b>	1200 SR2K : nickel plated steel 1200 SR2I : stainless steel
<b>DIMENSIONS</b>	SR2 1/4" to 1 1/2"
<b>MATERIAL</b>	1200 SR2K : nickel plated steel 1200 SR2I : stainless steel 316 L
<b>THREAD</b>	Male and female in BSP thread, right-hand connection, option BSPP
<b>PRESSURE</b>	Maximum 350 bar except stainless steel (see table)
<b>TEMPERATURE</b>	150° C maximum
<b>ROTATION</b>	Swiveling motion
<b>APPLICATION</b>	High pressure hose connection with jacks. Hydraulic control.
<b>OBSERVATIONS</b>	Hydraulically balanced for easy rotation
<b>CONNECTION</b>	With hoses or articulated hoses
<b>USE</b>	Oil, air, gas, chemicals (SR2I), for water 1200 SR2K



## 1200 SR2K - I

### Full Nominal Diameter

Ref.	1213 SR2 K/I	1217 SR2 K/I	1221 SR2 K/I	1227 SR2 K/I	1234 SR2 K/I	1242 SR2 K/I	1249 SR2 K/I
A	1/4"	3/8"	1/2"	3/4"	1"	1 1/4"	1 1/2"
B	14	15	18	22	25	30	30
C	12	14	15	20	22	31	30
DN	Ø 7	Ø 10	Ø 13	Ø 18	Ø 24	Ø 30	Ø 38
E	GR 817SRV	GR 821SRV	GR 827SRV	GR 834SRV	GR 849SRV	GR 849SRV	GR 860SRV
F	57	63,5	78	91,5	112	136,5	159
G	34	39	46	55,5	67	79,5	92
H	∇ 30	∇ 35	∇ 40	∇ 50	∇ 63	∇ 82	∇ 96
I	22 /Flat	24 /Flat	30 /Flat	41 /Flat	46 /Flat	55 /Flat	70 /Flat
J	26	30	35	45	53,5	67	77
K	6	7,5	8	8,5	10	9,5	12
L	26	30	38	45	54	70	95
<b>Max. Pressure K/I</b>	<b>350/175</b>	<b>350/175</b>	<b>300/150</b>	<b>300/150</b>	<b>250/125</b>	<b>250/125</b>	<b>200/100</b>

2 rotary seals (E) per product