

STANDARD MODEL:

Packing box in graphite with PTFE seal to avoid galling.
On request : all PTFE seal.

USE:

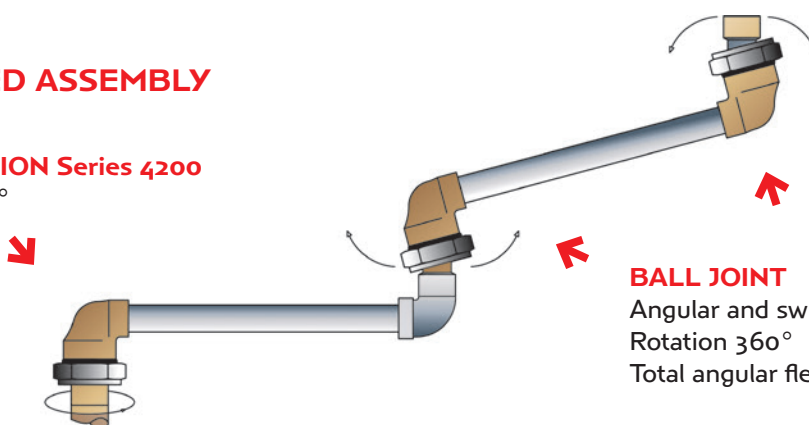
For water, hot water, steam, air, hydrocarbons, vacuum, chemicals, thermic fluids.

APPLICATION:

Heating plate press, laundry equipment, loading arms, coolant lines on rolling mill, oscillating autoclave, spinkler line of machine tools, fuel oil burner feeding.

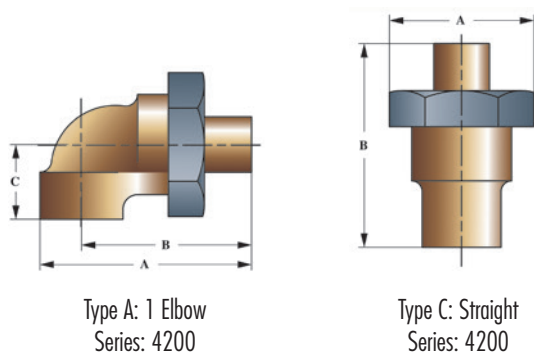
RECOMMENDED ASSEMBLY

SWIVEL UNION Series 4200
Rotation 360°

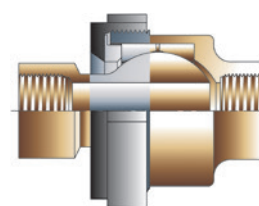


BALL JOINT
Angular and swiveling motion
Rotation 360°
Total angular flex ± 15°

**2 TYPES OF SWIVEL UNIONS
2 TYPES OF BALL JOINTS**



CUT-AWAY DRAWING MODELS A and C

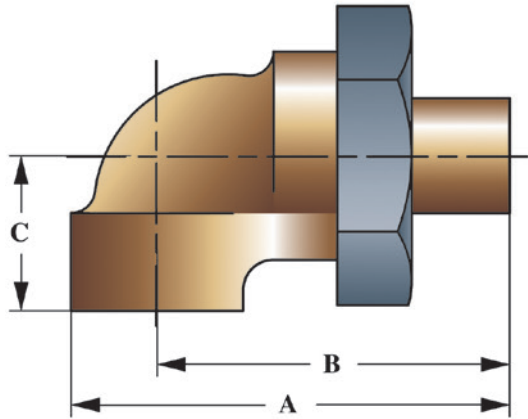


Series 4200 Ball Joints

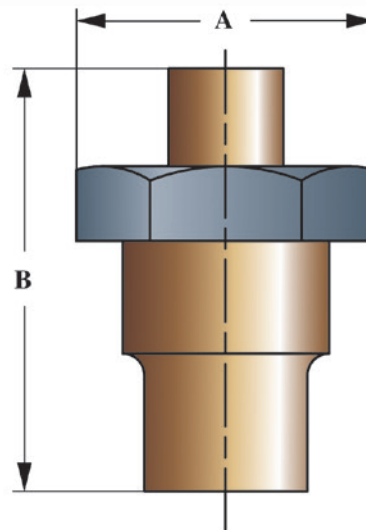
REFERENCES	4200 SERIE
MODEL	Swivel
TYPE	A and C
DIMENSION	DN 1/2 up to 2" (2" 1/2 and 3" on request)
MATERIAL	Bronze / steel nut
STUFFING	GRAPHITE/ PTFE)
THREADED END	Female / Female BSPP
WORKING PRESSURE	Up to 1" : 25 bar > 1" : 12 bar
WORKING TEMPERATURE	225°C Maximum
WORKING CONDITION	Articulated rotation
USE	Steam, water, air gas, hydrocarbons, chemicals hydrocarbons, etc.

REMARKS: Full bore to minimize pressure drop. On request, we can supply these couplings in steel for higher pressures and temperatures. (Type C only)

- Swivel joints
- Ball joints with stuffing box



Type A
1 Elbow



Type C
Straight



Rotary Unions, series 4200

Thread R	Pipe Ø DN	Ref. Nr.	Type A				Type C		
			A	B	C	Kg approx weight	A	B	Kg approx weight
1/2"	15	4221	90	75	27	0.5	52	85	0.5
3/4"	20	4227	101	84	36	0.7	62	90	0.7
1"	26	4234	110	90	41	0.8	68	91	0.8
1" 1/4	33	4242	120	95	45	1.4	86	119	1.3
1" 1/2	40	4249	160	130	52	2.2	105	129	1.9
2"	50	4260	165	130	57	3	112	137	2.7

2" 1/2 ABD 3" on request