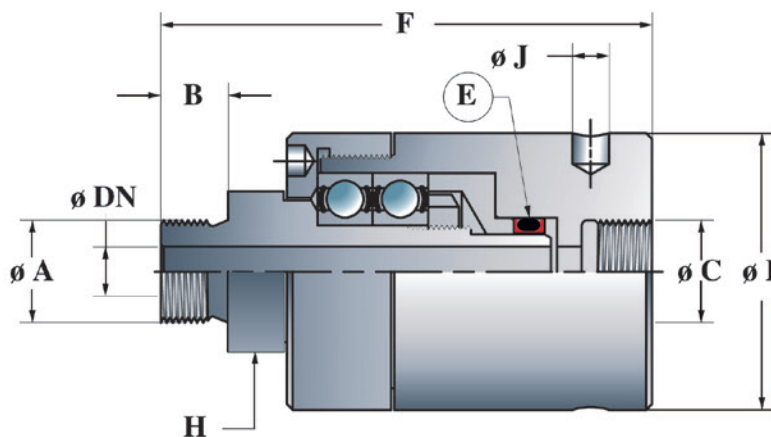



TECHNICAL FEATURES

| | |
|---------------------|---|
| REFERENCE | Axial/Straight model : 600 J (BSPP) - 600 M (metric) |
| DIMENSIONS | ND 1/4" to 1" 14 x 150 to 33 x 200 |
| MATERIAL | 600 J - 600 M nickel plated steel |
| THREAD | Male right-hand (BSPP and metric) Female BSPP |
| PRESSURE | See table |
| TEMPERATURE | 120° C maximum |
| ROTATION | 0 to 1500 r.p.m. depending on the diameter and pressure |
| APPLICATION | Hydraulic clutch control, lubricated or dry air |
| OBSERVATIONS | Ball bearing and Tefl on seal for easy rotation |
| CONNECTION | With hoses |
| USE | Oil, air, water (K) |

Axial outlet = Ref. 600



| BSPP | | 613 J | 617 J | 621 J | 627 J | 634 J | |
|----------------------|---------|------------|------------|------------|------------|------------|----------|
| Metric | | 613 M | 617 M | 621 M | 627 M | 634 M | |
| Old Ref. | | 3S 4268 | 3S 3610 | 3S 4200 | 3S 4208 | 3S 4169 | |
| Dimensions | A | Gaz | 1/4" | 3/8" | 1/2" | 3/4" | 1" |
| | | Métrique | 14 x 150 | 18 x 150 | 22 x 150 | 27 x 200 | 33 x 200 |
| | B | 11 | 11 | 14 | 18 | 19 | |
| | C | 1/4" | 3/8" | 1/2" | 3/4" | 1" | |
| | DN | 5 | 8 | 13 | 18 | 22 | |
| | E | GR8 V | GR12 V | GR18 V | GR25 V | GR35 V | |
| | F | 71 | 80 | 103 | 122 | 138 | |
| | G | | | | | | |
| | H/Plats | 19 | 27 | 32 | 35 | 44 | |
| | I | 38 | 44,5 | 60 | 75 | 94 | |
| Ø J | 5 | 5 | 5 | 5 | 5 | | |
| Max. Pressure | | 250 | 250 | 150 | 100 | 100 | |

600 series have a different design depending on the models. The above drawings show the 627 models.